

# Vacuum Breaker Valve

## OPW's Vacuum breakers ensure quick draining of piping systems.

Vacuum breaker valves fit into top loading valves or the suction side of pumping systems that must drain quickly and completely.

The VB100 Series is a 1/2" vacuum breaker that is fitted with fluorocarbon seals and operates at 1-2 kPa.

### Ordering Information

**VB100SS:** 1/2" BSP and NPT Vacuum Breaker S/S (1-2 kPa).

### Associated Equipment

The most common usage is on OPW top loading arms or with DM100 series discharge manifold for truck mounted applications.

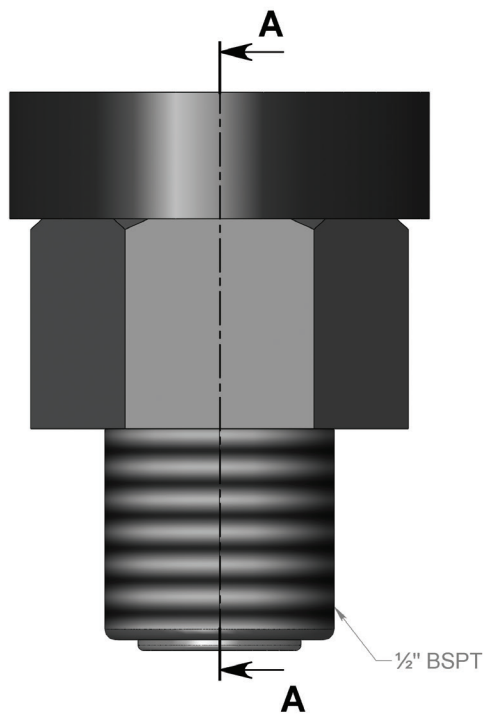


**VB100**

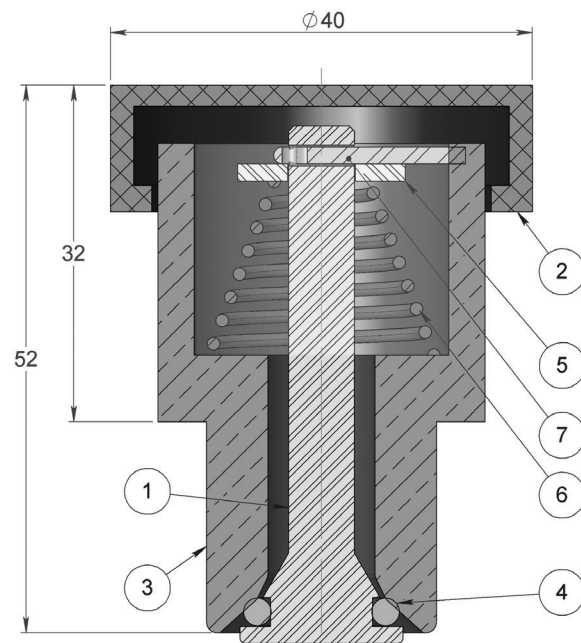
### Technical Information

<b>Pressure</b>	VB100SS opens at 1-2 kPa vacuum (Gravity draining systems). Orifice equal to 6mm dia hole.
<b>Operation</b>	Spring loaded poppet opens at a set pressure to allow air into the high section of the system and removes any vacuum that may 'hang-up' a liquid column.
<b>Mounting</b>	Into 1/2" BSP and NPT female socket. Ensure the poppet head is level with the inner end of the socket thread inside the pipe when fitted, in order to maximize flow area.
<b>Dismantle</b>	Remove from apparatus, prise off polyurethane cap and remove spring retainer. Withdraw poppet from other end.
<b>Adjustment</b>	None. Pre-set vacuum according to type.
<b>Materials</b>	<ul style="list-style-type: none"> <li>- Stainless Steel body, polyurethane cap, stainless steel spring.</li> <li>- Poppet is acetal in VB100SS.</li> <li>- Seal is low temperature fluorocarbon.</li> </ul>
<b>Weight</b>	0.14kg.

# VB100 Series Vacuum Breaker



FRONT VIEW



SECTION A-A

ITEM	PART #	DESCRIPTION	VB100	VB100U	VB100SS	VB100USS	MATERIAL
1	VB100-2	POPPET VALVE	1	—	1	—	ACETAL
	VB100U-2	POPPET VALVE	—	1	—	1	ST STEEL
2	VB100-1	CAP	1	1	1	1	POLYURETHANE
3	VB100-3SS	VACUUM BREAKER BODY	—	—	1	1	ST STEEL
4	0410	O-RING	1	1	1	1	FLUOROCARBON
5	0922	WASHER FLAT	1	1	1	1	Z/P STEEL
6	4455	SPRING COMPRESSION	—	1	—	1	ST STEEL
	4412	SPRING COMPRESSION	1	—	1	—	ST STEEL
7	0756	SPLIT PIN	—	1	—	1	ST STEEL
	0093	E-CLIP IMPERIAL	1	—	1	—	ST STEEL

