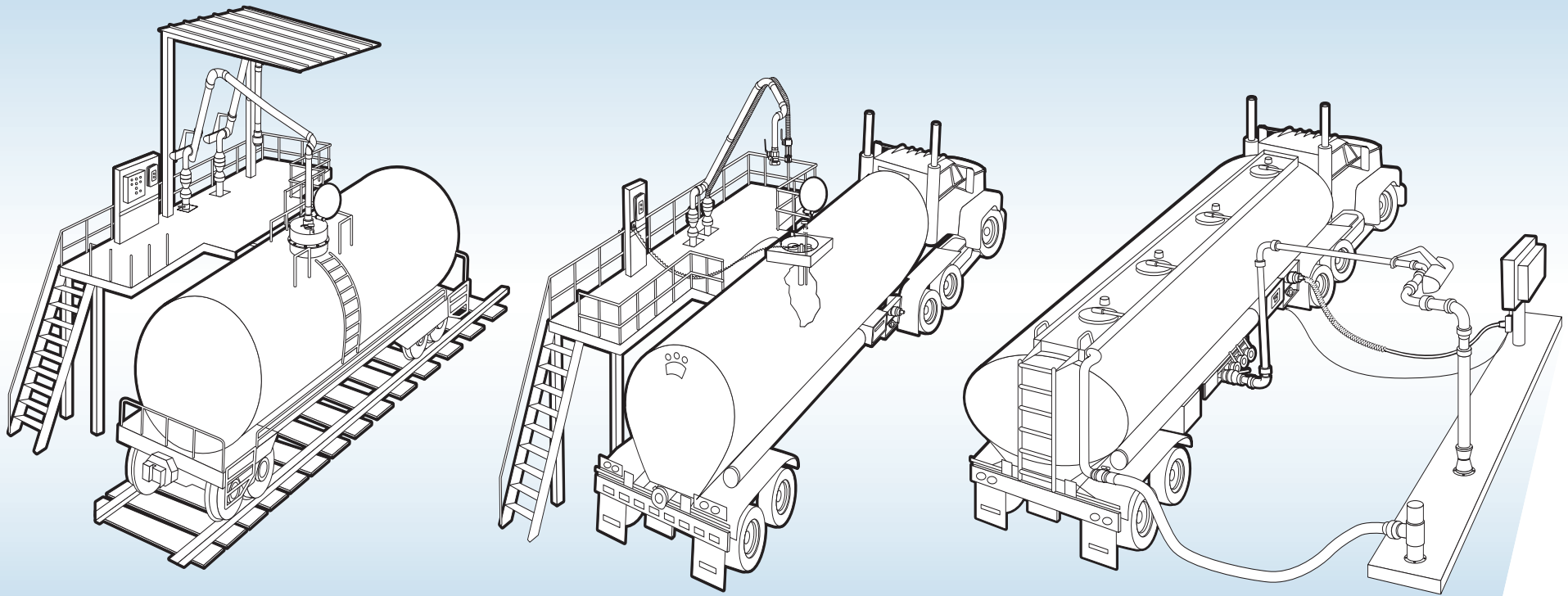
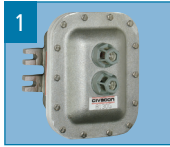


RACK EQUIPMENT SALES GUIDE

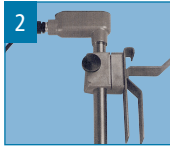


TOP OR BOTTOM-LOADING OVERFILL/GROUNDING EQUIPMENT

Overfill Protection While Top-loading Railcar or Tank-truck



8130-120



1300HS-3062B



1300KMLS-3062B



1400RHS-3060



1400RKMLS-3060

SS Probe Tip
Shown



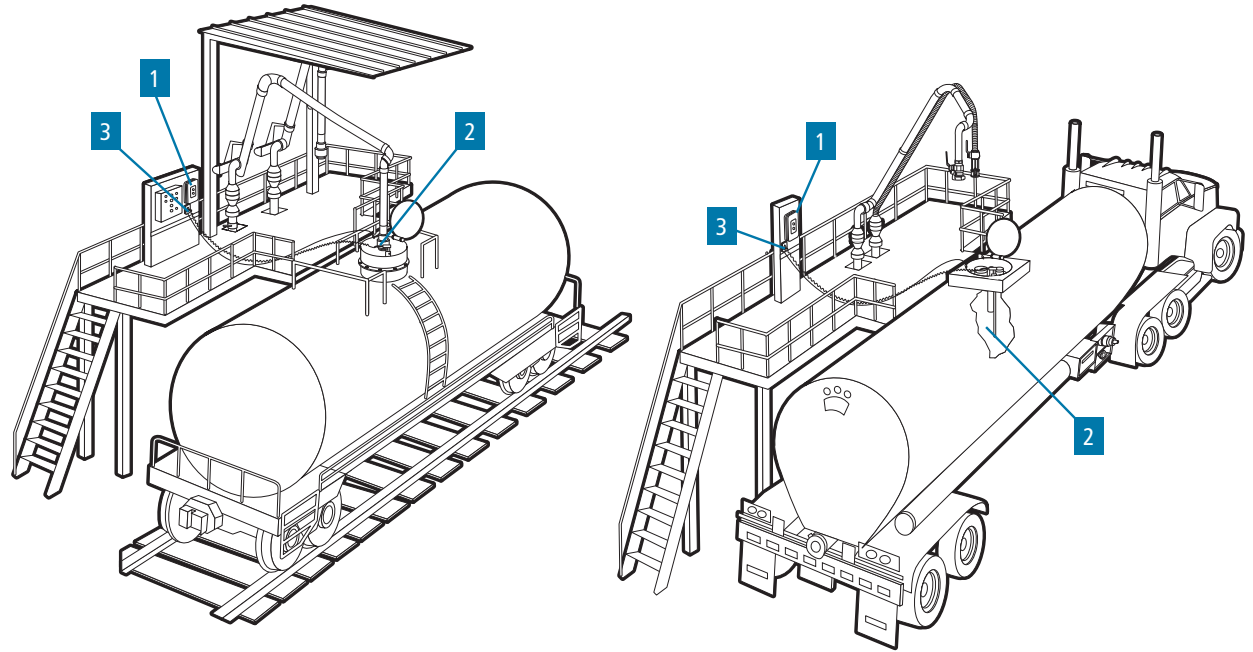
7500-7500



7540-7540

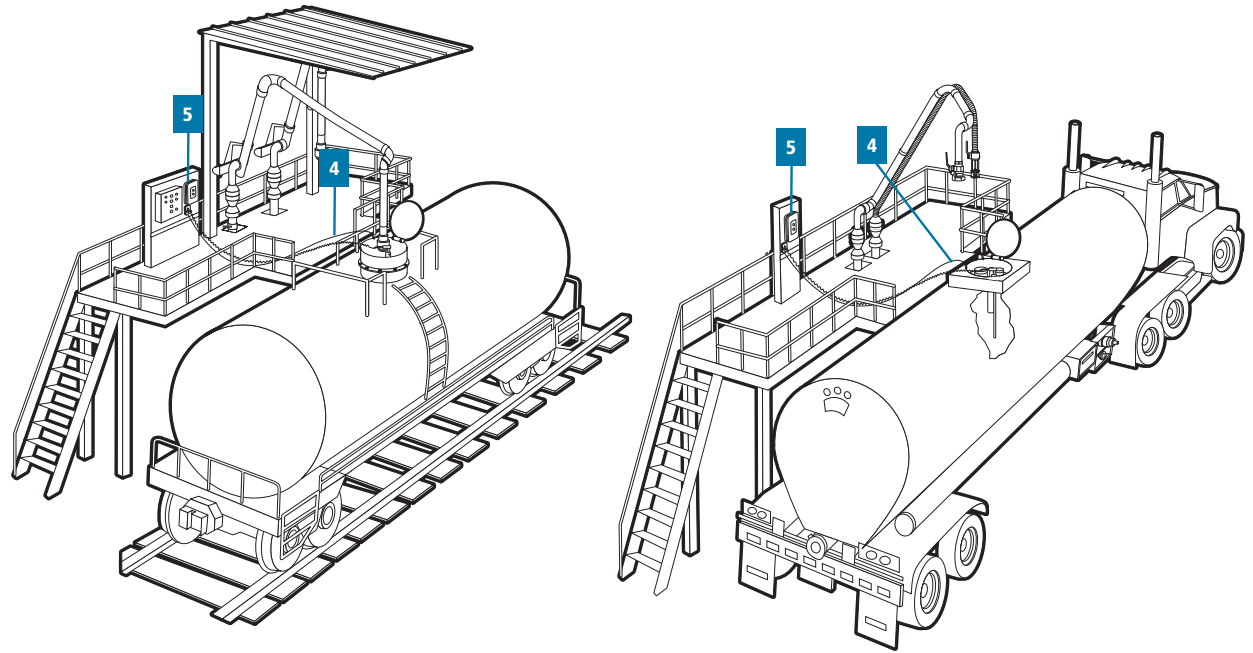


7540-8x30



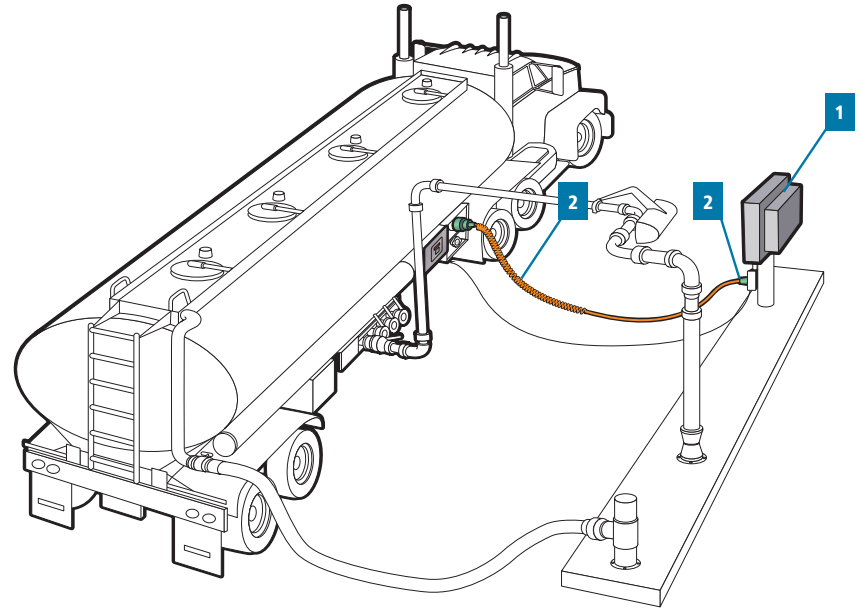
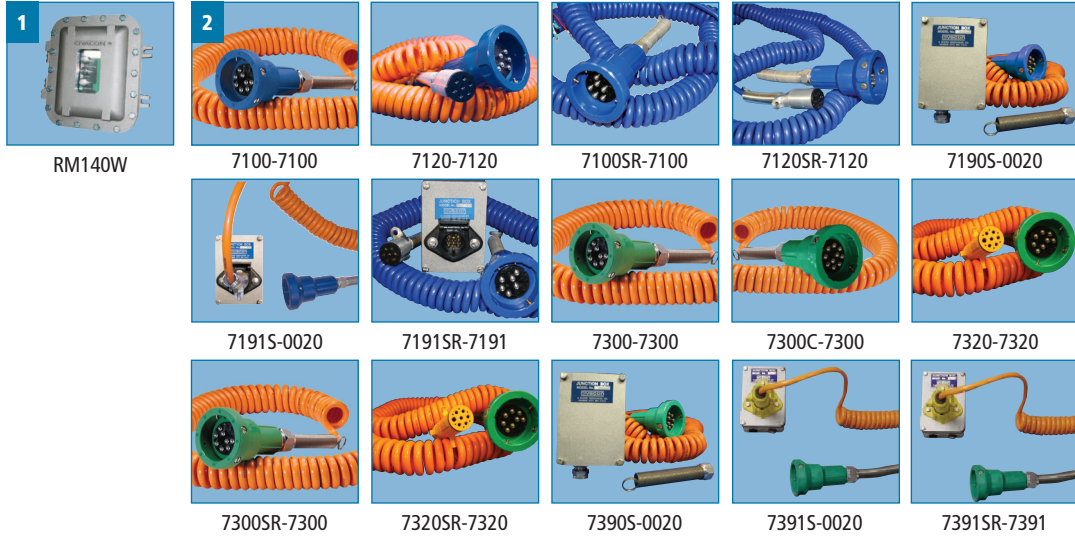
Products	Product #	Description
1 RACK MONITOR	8130-120	Optic Rack Monitor with Ground Verification, Red/Green Indicator Lights. Available in 120 or 240 Volt
	1300HS-3062B	Optic Cane Probe (Aluminum) 62" standard length with universal clamp, 30' coiled cord and 7-pin plug
2 CANE PROBE (Select 1)	1300KMLS-3062B	Optic Cane Probe (Aluminum) 62" standard length with Kamlok Coupler, 30' coiled cord and 7-pin plug
	1400RHS-3060	Optic Cane Probe (Stainless Steel) 60" standard length with universal clamp, 30' coiled cord and 7-pin plug
	1400RKMLS-3060	Optic Cane Probe (Stainless Steel) 60" standard length with Kamlok Coupler, 30' coiled cord and 7-pin plug
3 JUNCTION BOX	7500-7500	Junction Box for Optic, Thermistor, and Ground Verification Plug and Cord Sets (Non-Breakaway)
	7540-7540	Junction Box with 7-pin socket for Cane Probes or Breakaway Optic Plug & Cord Set
	7540-8X30	Junction Box with 7-pin socket for Breakaway Optic Plug and Cord Set. Includes bypass connection for 8130 Optic Rack Monitor (Does not include BCU-2)

Overfill Protection While Top-loading Railcar or Tank-truck



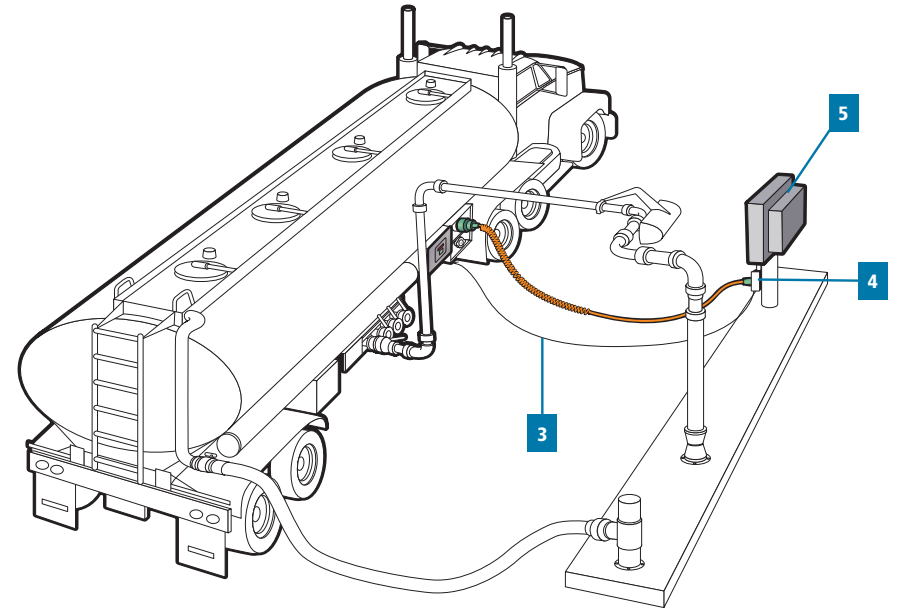
Products	Product #	Description
4 GROUNDING CABLE & CLAMP	7720-7720	Ground Verification Clamp with 40' straight cord
	7720-COIL	Ground Verification Clamp with 30' coiled cord
	7790-7790	Ground Verification Clamp with 40' straight cord and 7500-7500 Junction Box
	7790-COIL	Ground Verification Clamp with 30' coiled cord and 7500-7500 Junction Box
	7620-7620	Ground Verification Plug & Cord Set for dual ball application with 30' straight cord
	7620-COIL	Ground Verification Plug & Cord Set for dual ball application with 30' coiled cord
	7690-7690	Ground Verification Plug & Cord Set for dual ball application with 30' straight cord and 7500-7500 Junction Box
	7690-COIL	Ground Verification Plug & Cord Set for dual ball application with 30' coiled cord and 7500-7500 Junction Box
5 OPTION: BYPASS	8150-120	8130-120 Optic Rack Monitor with Ground Verification, Red/Green Indicator Lights. Includes 7560-7560 Junction Box and one (BCU-2) Bypass Control Unit
	7560-7560	Junction Box with bypass connection for 8150 Optic Rack Monitor (Does not include BCU-2 Bypass Control Unit)
	BCU-2	Bypass Control Unit for 8150 Optic Rack Monitor (7560-7560 or 7540-8x30 Junction Box required)

Bottom-Loading Truck Opti/Therm Rack System (Typical Eastern US & Eastern Canada)



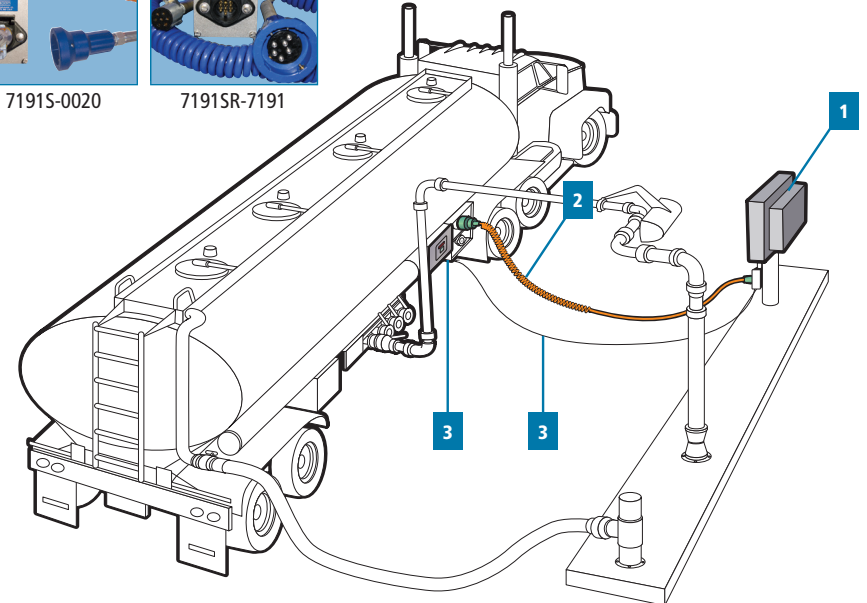
Products	Product #	Description	
1 RACK MONITOR	RM140W	Opti/Therm Rack Monitor with Ground Verification, up to (8) 2-wire or (12) 5-wire Probes, Keyed Bypass, Multiple Outputs	
	7100-7100	Optic Plug with 30' 10-conductor coiled cord	
	7120-7120	Optic Plug with 30' 10-conductor coiled cord and 7-pin breakaway plug	
	7100SR-7100	Optic Plug with 30' 6-conductor blue coiled cord for Scully replacement	
	7120SR-7120	Optic Plug with 30' 6-conductor blue coiled cord for Scully replacement and 7-pin breakaway plug	
	7190S-0020	7100-7100 Optic Plug with 30' coiled cord and 7500-7500 Junction Box	
	7191S-0020	7120-7120 Optic Breakaway Plug with 30' coiled cord and 7540-7540 breakaway Junction Box	
	7191SR-7191	7120SR-7120 Optic Breakaway Plug with 30' 6-conductor blue coiled cord for Scully replacement, 7-pin breakaway plug and 7540-7540 Junction Box	
	2 PLUG & CORD SET (Select Thermistor or Optic)	7300-7300	Thermistor Plug with 30' 10-conductor coiled cord
		7300C-7300	Thermistor Plug with 30' 10-conductor coiled cord (Canada only)
		7320-7320	Thermistor Plug with 30' 10-conductor coiled cord and 13-pin breakaway plug
		7300SR-7300	Thermistor Plug with 30' 10-conductor coiled cord for Scully replacement
		7320SR-7320	Thermistor Plug with 30' 10-conductor coiled cord for Scully replacement and 13-pin breakaway plug
		7390S-0020	7300-7300 Thermistor Plug with 30' 10-conductor coiled cord and 7500-7500 Junction Box
		7391S-0020	7320-7320 Thermistor Breakaway Plug with 30' 10 conductor coiled cord, 13-pin breakaway plug and 7510T-7510 Junction Box
7391SR-7391		7320SR-7320 Thermistor Breakaway Plug with 30' 10-conductor coiled cord for Scully replacement, 13-pin breakaway plug and 7510T-7510 Junction Box	

Bottom-Loading Truck Opti/Therm Rack System (Typical Eastern US & Eastern Canada)



Products	Product #	Description
3 GROUNDING CABLES & CLAMP	7720-7720	Ground Verification Clamp with 40' straight cord
	7720-COIL	Ground Verification Clamp with 30' coiled cord
	7790-7790	Ground Verification Clamp with 40' straight cord and 7500-7500 Junction Box
	7790-COIL	Ground Verification Clamp with 30' coiled cord and 7500-7500 Junction Box
	7620-7620	Ground Verification Plug & Cord Set for dual ball application with 30' straight cord
	7620-COIL	Ground Verification Plug & Cord Set for dual ball application with 30' coiled cord
4 JUNCTION BOX	7690-7690	Ground Verification Plug & Cord Set for dual ball application with 30' straight cord and 7500-7500 Junction Box
	7690-COIL	Ground Verification Plug & Cord Set for dual ball application with 30' coiled cord and 7500-7500 Junction Box
	7500-7500	Junction Box for Optic, Thermistor, and Ground Verification Plug and Cord Sets (Non-Breakaway)
5 OPTIONS	7540-7540	Junction Box with 7-pin socket for Cane Probes or Breakaway Optic Plug & Cord Set
	7510T-7510	Junction Box with 13-pin socket for breakaway Thermistor Plug and Cord Set
	7150-7150	Optic Plug Hanger
	7350-7350	Thermistor Plug Hanger
	1386-1386	Opti/Therm Rack Monitor Tester

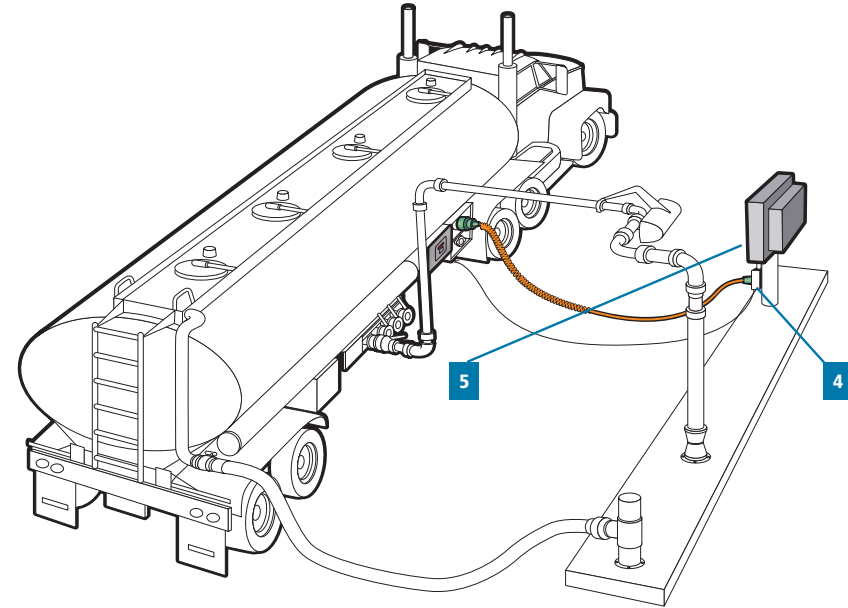
Bottom-Loading Optic/Only Rack Systems (Typical Western US & Western Canada)



Products	Product #	Description
1 RACK MONITOR	8130-120	Optic Rack Monitor with Ground Verification, Red/Green Indicator Lights. Available in 120 or 240 Volt
	7100-7100	Optic Plug with 30' 10-conductor coiled cord
	7120-7120	Optic Plug with 30' 10-conductor coiled cord and 7-pin breakaway plug
2 OPTIC PLUG	7100SR-7100	Optic Plug with 30' 6-conductor blue coiled cord for Scully replacement
	7120SR-7120	Optic Plug with 30' 6-conductor blue coiled cord for Scully replacement and 7-pin breakaway plug
	7190S-0020	7100-7100 Optic Plug with 30' coiled cord and 7500-7500 Junction Box
	7191S-0020	7120-7120 Optic Breakaway Plug with 30' coiled cord and 7540-7540 breakaway Junction Box
	7191SR-7191	7120SR-7120 Optic Breakaway Plug with 30' 6-conductor blue coiled cord for Scully replacement, 7-pin breakaway plug and 7540-7540 Junction Box
	7720-7720	Ground Verification Clamp with 40' straight cord
3 GROUNDING CABLES & CLAMP	7720-COIL	Ground Verification Clamp with 30' coiled cord
	7790-7790	Ground Verification Clamp with 40' straight cord and 7500-7500 Junction Box
	7790-COIL	Ground Verification Clamp with 30' coiled cord and 7500-7500 Junction Box
	7620-7620	Ground Verification Plug & Cord Set for dual ball application with 30' straight cord
	7620-COIL	Ground Verification Plug & Cord Set for dual ball application with 30' coiled cord
	7690-7690	Ground Verification Plug & Cord Set for dual ball application with 30' straight cord and 7500-7500 Junction Box
	7690-COIL	Ground Verification Plug & Cord Set for dual ball application with 30' coiled cord and 7500-7500 Junction Box

UPDATED DECEMBER 2018

Bottom-Loading Optic/Only Rack Systems (Typical Western US & Western Canada)



Products	Product #	Description
4 JUNCTION BOX	7500-7500	Junction Box for Optic, Thermistor, and Ground Verification Plug and Cord Sets (Non-Breakaway)
	7540-7540	Junction Box with 7-pin socket for Cane Probes or Breakaway Optic Plug & Cord Set
	7540-8X30	Junction Box with 7-pin socket for Breakaway Optic Plug and Cord Set. Includes bypass connection for 8130 Optic Rack Monitor (Does not include BCU-2)
5 OPTIONS	RM-140W	Opti/Therm Rack Monitor with Ground Verification, up to (8) 2-wire or (12) 5-wire Probes, Keyed Bypass, Multiple Outputs
	8150-120	8130-120 Optic Rack Monitor with Ground Verification, Red/Green Indicator Lights. Includes 7560-7560 Junction Box and one BCU-2 Bypass Control Unit
	7150-7150	Optic Plug Hanger
	7560-7560	Junction Box with bypass connection for 8150 Optic Rack Monitor (Does not include BCU-2 Bypass Control Unit)
	BCU-2	Bypass Control Unit for 8150 Optic Rack Monitor (7560-7560 or 7540-8x30 Junction Box required)
	1386-1386	Opti/Therm Rack Monitor Tester

Ground Verification Only



8030-120



7720-7720



7720-COIL



7790-7790



7790-COIL



7620-7620



7620-COIL



7690-7690



7690-COIL



7500-7500

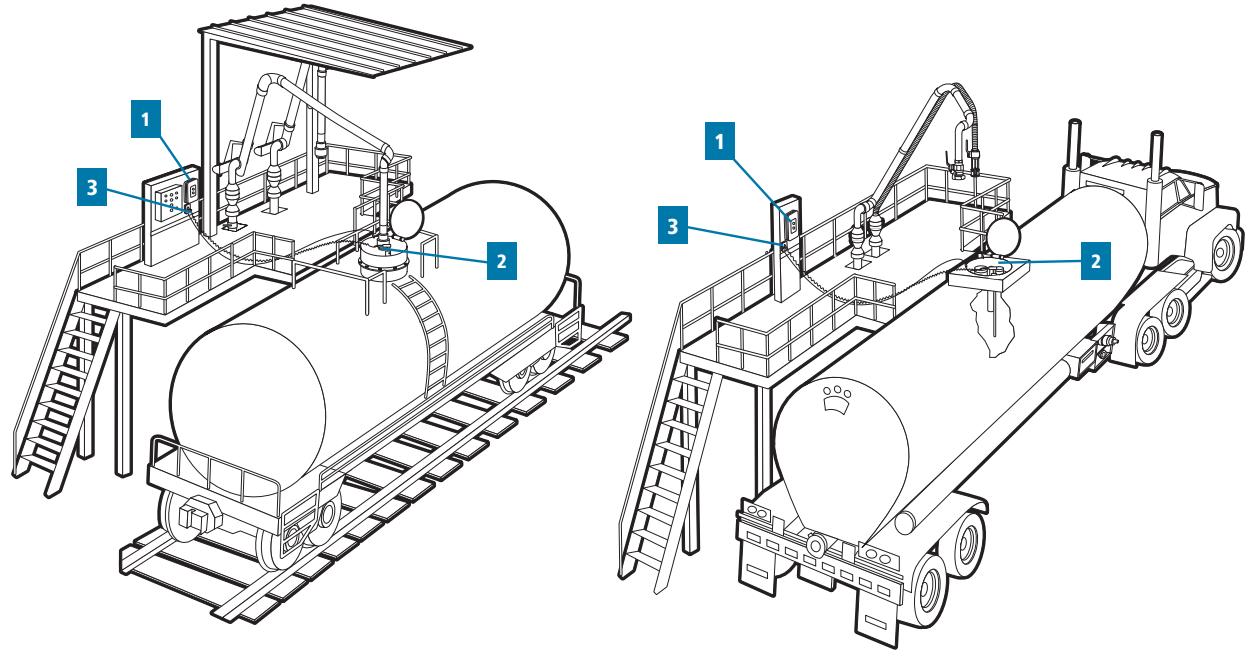


OPTIONS

7560-7560



BCU-2



Products	Product #	Description
1 GROUNDING MONITOR	8030-120	Ground Monitor, with Red/Green Status Lights Available in 120 or 240 Volt
	7720-7720	Ground Verification Clamp with 40' straight cord
	7720-COIL	Ground Verification Clamp with 30' coiled cord
	7790-7790	Ground Verification Clamp with 40' straight cord and 7500-7500 Junction Box
2 GROUNDING CABLE & CLAMPS	7790-COIL	Ground Verification Clamp with 30' coiled cord and 7500-7500 Junction Box
	7620-7620	Ground Verification Plug & Cord Set for dual ball application with 30' straight cord
	7620-COIL	Ground Verification Plug & Cord Set for dual ball application with 30' coiled cord
	7690-7690	Ground Verification Plug & Cord Set for dual ball application with 30' straight cord and 7500-7500 Junction Box
	7690-COIL	Ground Verification Plug & Cord Set for dual ball application with 30' coiled cord and 7500-7500 Junction Box
3 JUNCTION BOX	7500-7500	Junction Box for Optic, Thermistor, and Ground Verification Plug and Cord Sets (Non-Breakaway)
4 OPTIONS	7560-7560	Junction Box with bypass connection for 8150 Optic Rack Monitor (Does not include BCU-2 Bypass Control Unit)
	BCU-2	Bypass Control Unit for 8150 Optic Rack Monitor (7560-7560 or 7540-8x30 Junction Box required)