



QCDC (manual)

Marine loading arms

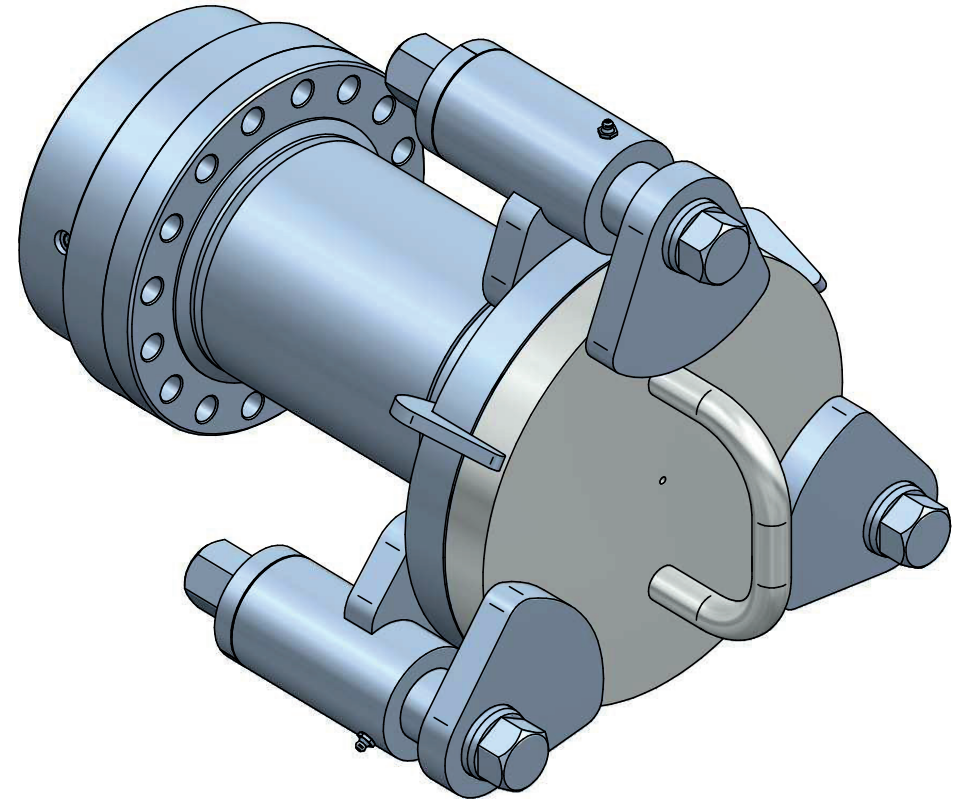
QCDC = Quick Connect-Disconnect Coupler

In order to ensure a safe and reliable connection to the ship, Wiese Europe has developed its manual QCDC.

This QCDC allows a quick connection between the marine loading arm and the ship through a certain amount of clamps locking the loading arm onto the ship's flange.

The clamps are tightened by a manual wrench action.

To improve ease of connection, additional guide rings are provided on the flange to center the ship's flange between the clamps.



Wiese Europe bvba

Smederijstraat 16
2960 Brecht
Belgium

+32 3 633 16 10

info@wiese-europe.com
www.wiese-europe.com

