

LIQUIP GANTRY PLUG & ACCESSORIES

GP10x SERIES GANTRY PLUG & JB10x JUNCTION BOX

DATA SHEET

Part No: GP103, GP104
JB100, JB103

- TITLE:** Gantry plug & Junction Box for overfill monitors for loading gantries.
- PURPOSE:** Connects gantry system to tanker via industry standard 3 or 4 bayonet 10 pin plugs for intrinsically safe signals.
- OPERATION:** Designed for use with common industry monitors and vehicles as well as Liquip "Overfill Monitor" RM100 Series and PD501. Current European I.P. recommendation is to use 4 pin bayonet, 10 pin connectors with automatic monitor switching between 2-wire and 5-wire. However Liquip manufacture 3 pin and 4 pin bayonet connectors for all applications.
- SPECIFICATION:** Connect pattern is 10-pin to industry standard and can cater for up to 8 compartments with 2-wire probes. The Liquip gantry plug also accommodates 5-wire probes. Cable entries into junction box are tapped 3/4" NPS. Customer should check gantry-side connection for local requirement. Gantry plug is supplied with a M25 cable gland and junction box is supplied with an adaptor 3/4" NPT. This allows interchangeability for spare parts.
Notes: Replace the cable gland with appropriate approved explosion-proof types if directly installed to the Overfill monitor.
- Cable is ten-cores self-coiling (8m reach) with petroleum-resistant outersheath, Blue.
Cable parameters:
Capacitance C = 1.1 nF
Inductance L = 12 µH
Inductance/Resistance Ratio L/R = 35 µH/Ω
- FEATURE:** All materials are non-static producing.
Junction box includes hanger for cable loop-spring.
Socket is heavily ribbed for better grip and bayonet positions clearly visible by being mounted on bosses.
- VARIANTS:** GP103: 3-pin bayonet, Navy Blue, supplied with cable & gland.
GP104: 4-pin bayonet, Black, supplied with cable & gland.
JB100 Junction Box 2x 3/4" NPS ports, supplied with 1 adaptor.
JB103 Junction Box 3x 3/4" NPS ports, supplied with 2 adaptors.
- SPARE PARTS:** 5115 Self-store coiled cable, Blue.
Plugs are available as spare part, order as GP103-3 or GP104-4.
- WEIGHT:** 4kg for total including junction box.
- MOUNTING:** Junction box has two internal mounting holes for 8mm diameter bolts.
- MATERIALS:** Aluminium box.
Polyurethane plug body.
Stainless steel pins and fittings.
10 cores cable (32x 0.2mm), outersheath polyurethane, Blue.
- ASSOCIATED:
EQUIPMENT** RM100 Series and PD501 Overfill Monitor.
TP Series "Ground Boss" truck plug.

Overall dimensions shown on the drawing overleaf.

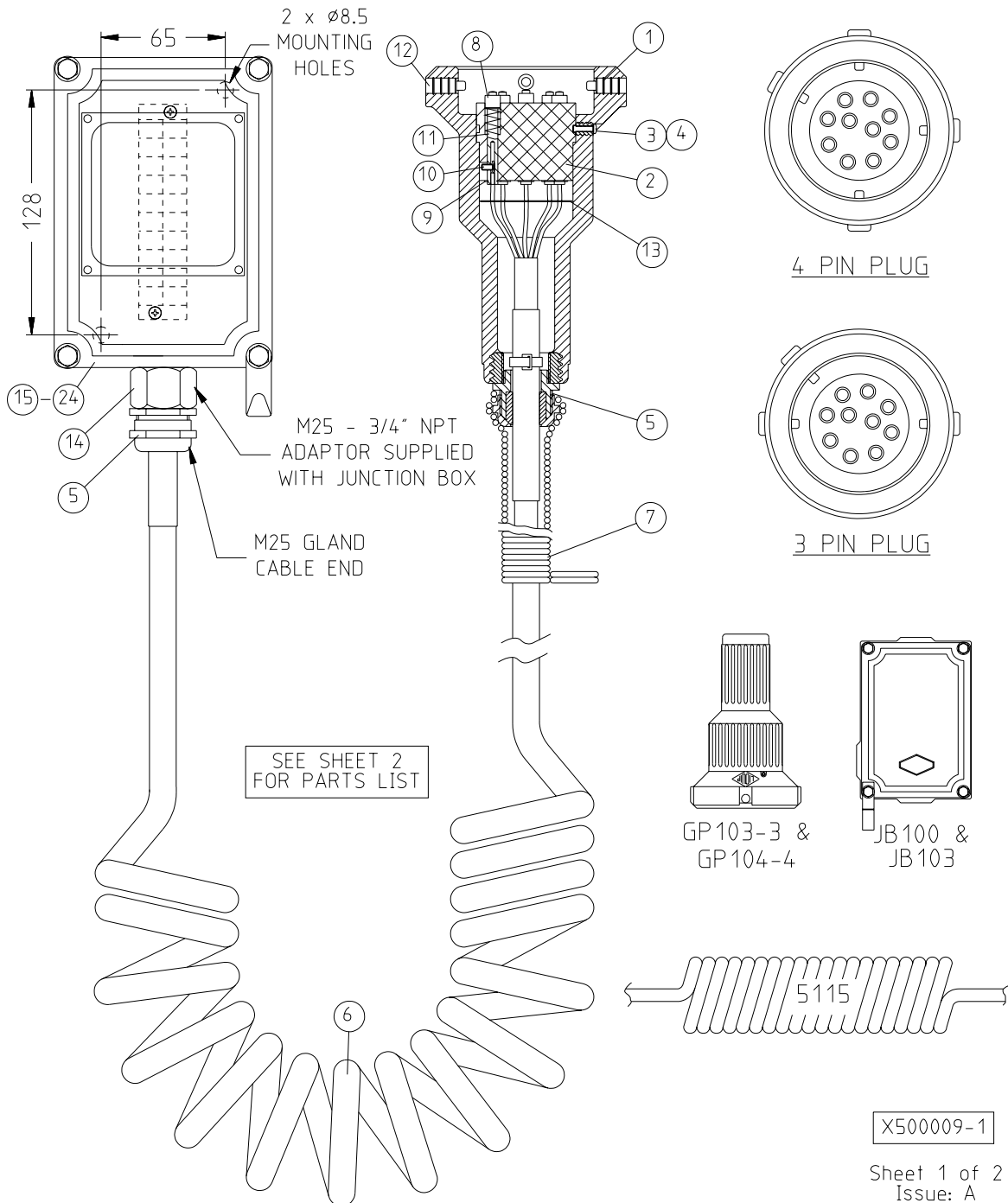


THIS IS CONFIDENTIAL INFORMATION.
THIS DRAWING AND DESIGN IS THE PROPERTY OF LIQUIP INTERNATIONAL PTY LIMITED.
IT MUST NOT BE COPIED OR REPRODUCED IN ANY WAY WHATSOEVER AND/OR PASSED ON
TO ANY THIRD PARTY WITHOUT WRITTEN AUTHORITY.

LIQUIP INTERNATIONAL PTY LIMITED - ENGINEERING DEPARTMENT - 13 HUME RD SMITHFIELD SYDNEY NSW AUSTRALIA 2164
 PH: +61 2 9725 9000 FAX: +61 2 9609 4739 EMAIL: engineering@liquip-nsw.com.au

LIQUIP

GANTRY PLUGS & COMPONENTS



METERS - VALVES - VENTS - MANHOLES - PUMPS - HOSEREELS - OVERFILL PROTECTION - LOADING ARMS - ELECTRONIC DIPSTICKS



LIQUIP INTERNATIONAL PTY LTD
 13 Hume Road
 Smithfield, Sydney
 NSW Australia 2164
 Phone: +61 2 9725 9000
 Fax: +61 2 9725 1252

DISTRIBUTORS
 See inside front cover
 for Liquip branches
 and Distributors or visit
www.liquip.com



THIS IS CONFIDENTIAL INFORMATION.
THIS DRAWING AND DESIGN IS THE PROPERTY OF LIQUIP INTERNATIONAL PTY LIMITED.
IT MUST NOT BE COPIED OR REPRODUCED IN ANY WAY WHATSOEVER AND/OR PASSED ON
TO ANY THIRD PARTY WITHOUT WRITTEN AUTHORITY.

LIQUIP INTERNATIONAL PTY LIMITED - ENGINEERING DEPARTMENT - 13 HUME RD SMITHFIELD SYDNEY NSW AUSTRALIA 2164
 PH: +61 2 9725 9000 FAX: +61 2 9609 4739 EMAIL: engineering@liquip-nsw.com.au

LIQUIP

PARTS LIST & WIRING INSTRUCTIONS FOR 3 & 4 PIN GANTRY PLUGS

ITEM	PART NO	DESCRIPTION	MATERIAL	GP 103	GP 104	GP 103-3	GP 104-4	JB 100	JB 103	5115
1	GP104-1	PLUG BODY 4 PIN	POLYURETHANE		1		1			
	GP103-1	PLUG BODY 3 PIN	POLYURETHANE	1		1				
2	GP100-2	SOCKET	POLYURETHANE	1	1	1	1			
3	6526	SETSCREW PAN/PH HEAD	ST STEEL	1	1	1	1			
4	6527	WASHER SHAKEPROOF	ST STEEL	1	1	1	1			
5	6885	CABLE GLAND	N/P BRASS	2	2					
6	5115	CABLE - COILED (SELF STORE)	POLYURETHANE	1	1					1
7	4477	SPRING WIRE SUPPORT	ST STEEL	1	1					
8	5713	PIN CONTACT	ST STEEL	10	10	10	10			
9	4517	E CLIP	ST STEEL	10	10	10	10			
10	4874	GRUBSCREW	ST STEEL	10	10	10	10			
11	4478	SPRING RETURN	ST STEEL	10	10	10	10			
12	5714	LOCKING PIN	ST STEEL	3	4	3	4			
13	4755	CABLES IDENTIFICATION LABEL	POLYCARBONATE	1	1	1	1			
14	7191	ADAPTOR	BRASS					1	2	
15	JB100-1	JUNCTION BOX BODY	ALUMINIUM					1		
	JB103-1	JUNCTION BOX BODY	ALUMINIUM						1	
16	JB100-2	JUNCTION BOX COVER	ALUMINIUM					1	1	
17	JB100-4	JUNCTION BOX HOOK	ALUMINIUM					1	1	
18	0100	WASHER FLAT	Z/P M/S					4	4	
19	4279	GASKET	NEO-CORK					1	1	
20	4753	LABEL	PLASTIC					1	1	
21	4920	SETSCREW HEX HD	Z/P M/S					4	4	
22	4885	SCREW HAMMER DRIVE	STEEL					4	4	
23	4960	SCREW THREAD CUTTING PAN HD	Z/P M/S					2	2	
24	5026	BLOCK STRIP TERMINAL	P/E PLASTIC					1	1	

CABLE CONNECTIONS FOR BOTH 3 & 4
BAYONET PIN LIQUIP GANTRY PLUGS

USE BLUE CABLE ONLY.

WIRE COLOUR	GANTRY PLUG (3-BAYONET) PIN No	GANTRY PLUG (4-BAYONET) PIN No
BROWN	1	1
GREY	2	8
BLUE	3	6
YELLOW	4	4
GREEN	5	5
ORANGE	6	3
VIOLET	7	7
RED	8	2
WHITE	9	10
BLACK	10	9

NOTES: Wiring colour codes may vary from country to country. In 1996 Liquip International adopted the I.P. code of practice in the general interest of compatibility.

X500009-2

Sheet 2 of 2
Issue: A

METERS - VALVES - VENTS - MANHOLES - PUMPS - HOSEREELS - OVERFILL PROTECTION - LOADING ARMS - ELECTRONIC DIPSTICKS



LIQUIP INTERNATIONAL PTY LTD

13 Hume Road
Smithfield, Sydney
NSW Australia 2164
Phone: +61 2 9725 9000
Fax: +61 2 9725 1252

DISTRIBUTORS

See inside front cover
for Liquip branches
and Distributors or visit

www.liquip.com