

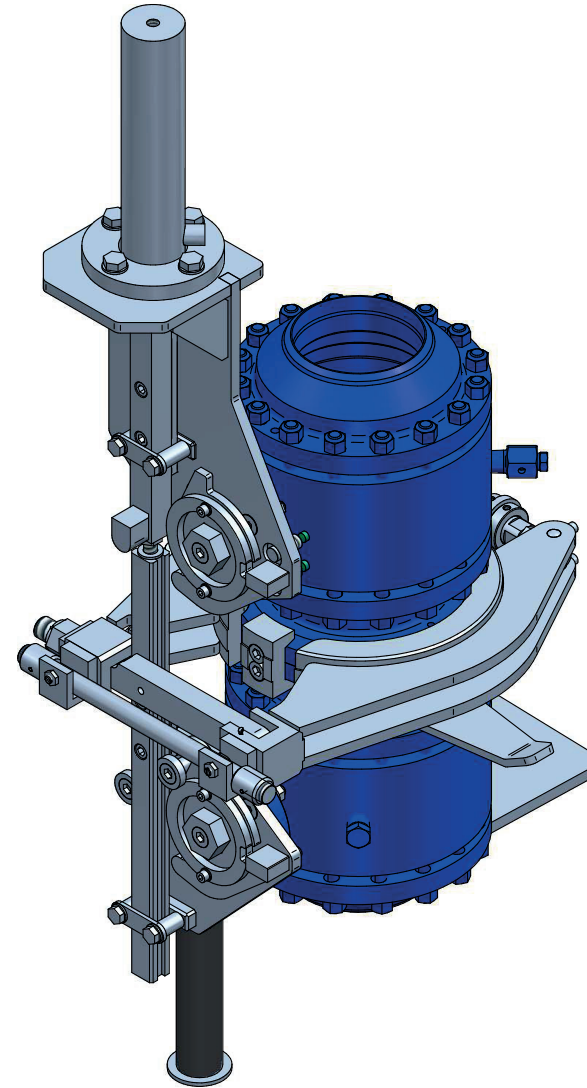


ERC

Marine loading arms

The Emergency Release Coupler is installed in the vertical leg of the triple swivel joint assembly in the liquid line.

The system with double valve design (ball or disc) ensures minimal spillage in case of emergency disconnection. The system operates automatically and will engage when the loading arm unintentionally leaves its safe operating area.



Wiese Europe bvba

Smederijstraat 16
2960 Brecht
Belgium

+32 3 633 16 10

info@wiese-europe.com
www.wiese-europe.com

 **WIESE EUROPE**