



Barca

Marine loading arms

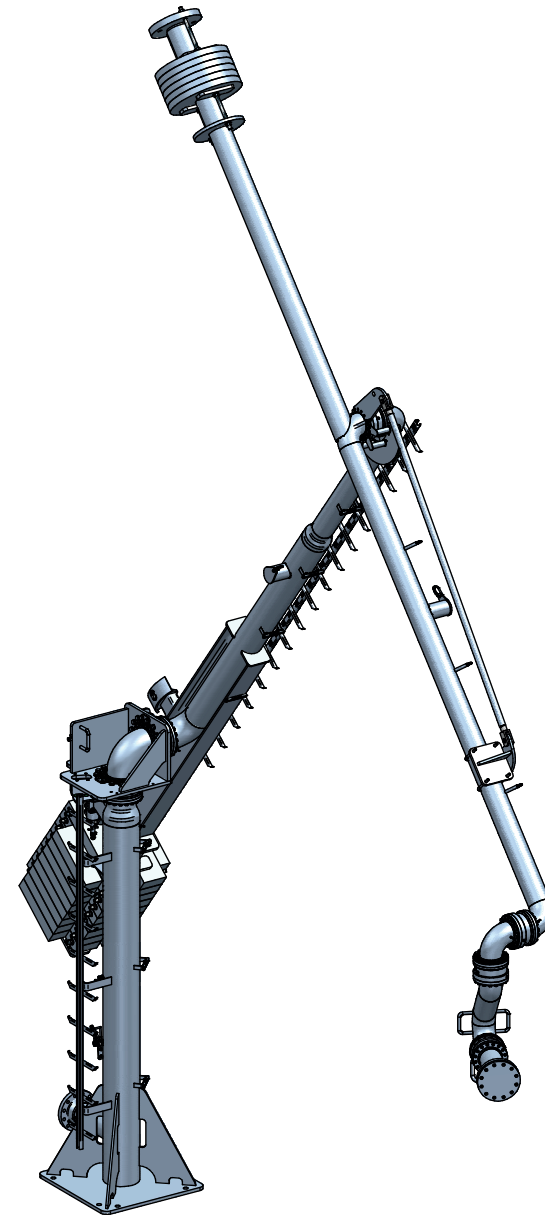
The Barca marine loading arm transfers liquids or gaseous products, to and from barges or coasters. This marine loading arm features a self-bearing construction that is balanced through two single adjustable counterweights.

Features

- Swivel joint model 3-2ST
- Product pipe in carbon steel or stainless steel
- Overdimensioned swivel joint design to support the forces acting on the loading arm
- Two single adjustable counterweights balance the inboard and outboard arm in each position
- Effortless manual operation
- Mechanical locking of the arm in resting position
- Suitable for chemically aggressive products
- High and low temperature application
- High and low pressure application
- Dimensions: 6" - 8" (DN150 - DN200)

Options

- Manual QDC (Quick Connect-Disconnect Coupler)
- Manual shut off valve
- Insulation flange
- Vacuum breaker
- Purge/drain
- Other options are available upon request



Wiese Europe bvba

Smederijstraat 16
2960 Brecht
Belgium

+32 3 633 16 10

info@wiese-europe.com
www.wiese-europe.com

