



## Overview

The realities faced by today's chemical and petroleum industries demand innovative, carefully engineered products that are built to handle a wide range of applications. These are often extreme applications with hazardous fluids under high pressures or temperatures. It is imperative that the connections designed for fluid transfer be able to safely withstand these demands. Responsible business practices (as well as regulatory and environmental regulations) mandate secure connections with regard to the handling of hazardous or toxic fluids and vapors. Secure connections are, of course, important for business efficiencies as well as for environmental reasons. But more importantly, it is imperative for the safety of the people handling the materials. That's why we promise that our products are: **SAFER. CLEANER. FASTER.**

**OPW Engineered Systems** is a world-class manufacturer of quick and dry disconnect fittings to meet any fluid handling need. For more than 60 years, our products have been used the world over in a wide range of applications including:

- Petroleum Products
- Fatty Acids
- Liquefied Gases
- Asphalt
- Solvents
- Hazardous and Corrosive Chemicals

We are the experts in reducing the hazards involved with handling fluid products for a multitude of industries.

**A Complete Line** of connections are available, including quick disconnect products from **Kamlok®** and **Autolok®**, featuring the exclusive Twin-Kam™ arm design. For more hazardous fluids that require a dry disconnect, OPW's comprehensive line includes **Kamvalok®**, **Drylok™** and **Epsilon®**, all suitable for a broad range of hazardous liquid applications. For extreme pressure and temperature sealing applications, the **Hiltap™** brand offers innovative, high-performance couplings and connectors.

### Innovative Products Designed For Safety.

It's what OPW Engineered Systems stands for. OPW products help keep employees out of harm's way, as well as contain fugitive emissions, transfer VOCs without product or vapor loss, and provide industries with solutions that further the efforts of responsive environmental management.

### Quality Control For Dependable Operation.

OPW quick and dry disconnect couplings and fittings are manufactured in compliance with the highest standards of design, materials and construction. All manufacturing and testing procedures meet or exceed industry standards. Products are rigorously tested to ensure high quality. CNC equipment is used to machine all critical dimensions within precise tolerances to ensure that each product adheres to rigid engineering specifications.

### Service and Support Beyond Compare.

OPW Engineered Systems is a time-tested industry leader with dedicated, experienced resources to provide technical assistance. From the initial design phase through installation and beyond, internal and external sales teams are knowledgeable about OPW products, and are trained to provide skilled solutions. Highly personalized professional service, site evaluations, design and applications engineering expertise and meticulously engineered, exceptionally built products ensure your complete satisfaction.

**OPW continually strives to maintain their leadership position in the industry by responding to your needs and supplying the high-quality, dependable products you require.**



## Quick Disconnects Overview

OPW Engineered Systems offers a comprehensive line of quick disconnect products in a wide variety of sizes and configurations.

- **Kamlok®** is the world's most popular cam and groove. The name is synonymous with quick disconnects and has set the industry standard for safety and ease of use.
- **Autolok®** quick disconnects utilize a self-locking system to provide an added level of safety.

**Kamlok®** and **Autolok®** offer the exclusive Twin-Kam™, a patented system that holds the adaptor more securely for increased protection against accidental release. These popular couplers and adapters are the industry's safest, sturdiest, quickest coupler systems on the market.

# Kamlok® Series



## The World's Most Popular Cam and Groove Quick Disconnect

OPW Engineered Systems' Kamlok® Quick Disconnects are the industry standard in cam and groove couplers for safety and ease of use. All OPW Kamloks® feature the exclusive **Twin-Kam™** arm design to help prevent accidental release, and **Spring-Ring™** to ensure proper position of finger rings for ease of operation.



**Spring-Ring™** Finger Rings prevent rings from getting trapped under arms.



Detent position of **Twin-Kam™** arms help prevent unintentional arm release.

**IMPORTANT:** OPW products should be used in compliance with applicable federal, state, provincial, and local laws and regulations. Product selection should be based on physical specifications and limitations and compatibility with the environment and materials to be handled. OPW MAKES NO WARRANTY OF FITNESS FOR A PARTICULAR USE. All illustrations and specifications in this literature are based on the latest product information available at the time of publication. OPW reserves the right to make changes at any time in prices, materials, specifications and models and to discontinue models without notice or obligation.

# Kamlok® Series

## Benefits

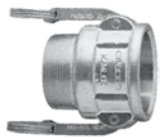
- **Long-Life Reliability** – Specially designed and manufactured with 316 stainless steel and gasket materials to endure the harshest environments.
- **Added Protection** – Exclusive features, such as Twin-Kam™ arms with special detent to secure arms in position to help prevent accidental uncoupling.
- **Ease-of-Use** – Cam and groove design means smooth coupling and uncoupling while the patented Spring-Ring™ feature ensures that the finger rings do not get trapped under the coupling arms.
- **Best Value** – Built to the highest quality standards with special ease-of-use design features at the price point of other standard cam and groove couplers makes OPW Kamloks® the best overall value in the industry.

## Features

- **Cam and Groove Design** – Provides for reliable, smooth operation in 360° orientation.
- **Exclusive Twin-Kam™ Arms** – Provides detent position that helps prevent unintentional arm release beyond 45°. Guaranteed For Life (GFL™) – if an arm breaks, it is replaced FREE.
- **Spring-Ring™ Finger Rings** – Rings won't get trapped under the arms with this patented feature, so opening/closing is quick and easy every time.
- **Available in 316 SST steel in a wide variety of sizes/styles**



## 633 B Coupler\* – Male NPT



Prod. No.	Size
633B-SS07	3/4"
633B-SS10	1"
633B-SS15	1-1/2"
633B-SS20	2"
633B-SS30	3"
633B-SS40	4"

\*Designed for non-compressible liquids

## 633 D Coupler\* – Female NPT



Prod. No.	Size
633D-SS05	3/4" Coupler x 1/2" FNPT
633D-SS07	3/4"
633D-SS10	1"
633D-SS12	1-1/4"
633D-SS15	1-1/2"
633D-SS20	2"
633D-SS30	3"
633D-SS40	4"

\*Designed for non-compressible liquids

## 633 C Coupler\* – Hose Shank



Prod. No.	Size
633C-SS07	3/4"
633C-SS10	1"
633C-SS15	1-1/2"
633C-SS20	2"
633C-SS30	3"
633C-SS40	4"

\*Designed for non-compressible liquids

## 634 B Dust Cap\*\*



Prod. No.	Size
634B-SS07	3/4"
634B-SS10	1"
634B-SS15	1-1/2"
634B-SS20	2"
634B-SS25	2-1/2"
634B-SS30	3"
634B-SS40	4"

\*\*Dust caps and plugs are NOT to be used in pressure applications.



## Autolok® Series

### Self-Locking Couplers for an Added Level of Safety

OPW Autolok® quick disconnects are self-locking couplers that provide an added level of safety and convenience at the fluid connection. Autolok's® patented locking mechanism, built into the coupling arm, means you simply snap the locking arms shut with one smooth motion and the coupler stays secure and shut until you unlock it. No clips, pins or buttons. Autolok® uses the patented Twin-Kam™ to hold the adaptor more securely to the coupler to provide added protection against accidental release.

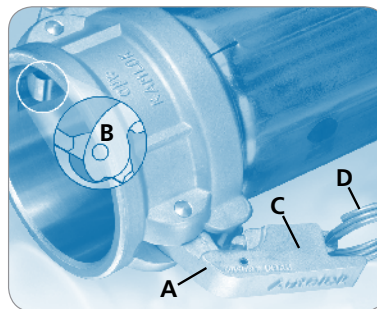
# Autelok® Series

## Benefits

- **Extra Protection** – Self-locking arms, featuring exclusive Twin-Kam™ design provides extra protection against accidental release or uncoupling.
- **Easy Operation** – Arms lock automatically with a positive click. Release requires only an easy tug on the patented lock release mechanism. No clips to insert or remove. No spring-loaded button to push.
- **Durable and Efficient** – Designed to ensure optimum flow rates. The heavy-duty, 316 stainless steel construction adds extra durability in harsh environments.

## Features

- **Autelok® Patented Arms** – Close just like a regular quick coupler but then lock themselves automatically.
- **Spring-Ring™ Finger Rings** – Patented design keeps rings from getting trapped under the arms, making secure closing a snap. An easy tug on the rings release and open the coupling.
- **Heavy-Duty Construction** – Available in 316 stainless steel.
- **Guaranteed For Life (GFL™) Arms** – If our exclusive Twin-Kam™ arms ever break, they are replaced FREE



- A** – GFL™ arms guaranteed for life against breakage.
- B** – Twin-Kam™ helps prevent unintentional arm release beyond 45° angle.
- C** – Automatic self-locking arms guard against accidental uncoupling.
- D** – Spring-Ring™ finger ring keeps ring free from arm trapping.

## 733 BL Coupler\* – Male NPT



Prod. No.	Size
733BL-05SB	3/4" Coupler x 1/2" FNPT
733BL-07SB	3/4"
733BL-10SB	1"
733BL-15SB	1-1/2"
733BL-20SB	2"
733BL-30SB	3"
733BL-40SB	4"

\*Designed for non-compressible liquids

## 733 DL Coupler\* – Female NPT



Prod. No.	Size
733DL-05SB	3/4" Coupler x 1/2" FNPT
733DL-07SB	3/4"
733DL-10SB	1"
733DL-12SB	1-1/4"
733DL-15SB	1-1/2"
733DL-20SB	2"
733DL-25SB	2-1/2"
733DL-30SB	3"
733DL-40SB	4"

\*Designed for non-compressible liquids

## 733 CL Coupler\* – Hose Shank



Prod. No.	Size
733CL-07SB	3/4"
733CL-10SB	1"
733CL-12SB	1-1/4"
733CL-15SB	1-1/2"
733CL-20SB	2"
733CL-30SB	3"
733CL-40SB	4"

\*Designed for non-compressible liquids

## 733 DCL Dust Cap\*\*



Prod. No.	Size
733DCL-07SB	3/4"
733DCL-10SB	1"
733DCL-12SB	1-1/4"
733DCL-15SB	1-1/2"
733DCL-20SB	2"
733DCL-25SB	2-1/2"
733DCL-30SB	3"
733DCL-40SB	4"

\*\*Dust caps and plugs are NOT to be used in pressure applications

## Adaptors

OPW Engineered Systems offers a broad range of adaptors for Autolok® and Kamlok® couplers, in a variety of sizes and configurations, including double couplers, reducing couplers, ANSI flanges, spool adaptors, socket weld and butt weld couplers/adaptors.

### 633 A Adaptor\* – Female NPT



Prod. No.	Size
633A-SS05	3/4" Adaptor x 1/2" FNPT
633A-SS07	3/4"
633A-SS10	1"
633A-SS12	1-1/4"
633A-SS15	1-1/2"
633A-SS20	2"
633A-SS25	2-1/2"
633A-SS30	3"
633A-SS40	4"

\*Designed for non-compressible liquids

### 633 E Adaptor\* - Hose Shank



Prod. No.	Size
633E-SS07	3/4"
633E-SS10	1"
633E-SS12	1-1/4"
633E-SS15	1-1/2"
633E-SS20	2"
633E-SS30	3"
633E-SS40	4"

\*Designed for non-compressible liquids

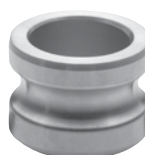
### 633 F Adaptor\* - Male NPT



Prod. No.	Size
633F-SS05	3/4" Adaptor x 1/2" MNPT
633F-SS07	3/4"
633F-SS10	1"
633F-SS12	1-1/4"
633F-SS15	1-1/2"
633F-SS20	2"
633F-SS25	2-1/2"
633F-SS30	3"
633F-SS40	4"

\*Designed for non-compressible liquids

### 634 A Dust Plug\*\*



Prod. No.	Size
634A-SS07	3/4"
634A-SS10	1"
634A-SS12	1-1/4"
634A-SS15	1-1/2"
634A-SS20	2"
634A-SS25	2-1/2"
634A-SS30	3"
634A-SS40	4"

\*\*Dust caps and plugs are NOT to be used in pressure applications

## Reducing Couplers & Adaptors

### 633 CH Coupler 3" x 2-1/2" Hose Shank\* (non locking)



Prod. No.	Size
633CH-SS3025	3" Coupler x 2-1/2" Hose Shank

\*Designed for non-compressible liquids

### 633 DD Double Coupler\* (non locking)



Prod. No.	Size
633DD-SS2020	2" x 2"
633DD-SS3030	3" x 3"

\*Designed for non-compressible liquids

### 633 EH Adapter 3" x 2-1/2" Hose Shank\*



Prod. No.	Size
633EH-SS3025	3" Adaptor x 2-1/2" Hose Shank

\*Designed for non-compressible liquids

### 633 AA Spool Adaptor\*



Prod. No.	Size
633AA-SS2020	2" x 2"
633AA-SS2030	2" x 3"
633AA-SS3030	3" x 3"

\*Designed for non-compressible liquids

### 633 DA Coupler/Adaptor\* (non locking)



Prod. No.	Size
633DA-SS2030	2" Coupler x 3" Adaptor
633DA-SS3020	3" Coupler x 2" Adaptor
633DA-SS4030	4" Coupler x 3" Adaptor
633DA-SS3020V	3" Coupler x 2" Adaptor w/ blow-down valve
633DA-SS3030V	3" Coupler x 3" Adaptor w/ blow-down valve

\*Designed for non-compressible liquids

**IMPORTANT:** OPW products should be used in compliance with applicable federal, state, provincial, and local laws and regulations. Product selection should be based on physical specifications and limitations and compatibility with the environment and materials to be handled. OPW MAKES NO WARRANTY OF FITNESS FOR A PARTICULAR USE. All illustrations and specifications in this literature are based on the latest product information available at the time of publication. OPW reserves the right to make changes at any time in prices, materials, specifications and models and to discontinue models without notice or obligation.

# Miscellaneous Couplers & Adaptors

## 633 AW Adaptor\* (Socket Weld) Schedule 40



Prod. No.	Size
633AW-SS05	3/4" Adaptor x 1/2" SW
633AW-SS07	3/4"
633AW-SS10	1"
633AW-SS12	1-1/4"
633AW-SS15	1-1/2"
633AW-SS20	2"
633AW-SS25	2-1/2"
633AW-SS30	3"
633AW-SS40	4"

Note: Weld fittings designed for Sched. 40 only  
\*Designed for non-compressible liquids

## 733 DLW Coupler\* (Socket Weld) Schedule 40



Prod. No.	Size
733DLW-05SB	3/4" x 1/2" SW
733DLW-07SB	3/4"
733DLW-10SB	1"
733DLW-12SB	1-1/4"
733DLW-15SB	1-1/2"
733DLW-20SB	2"
733DLW-25SB	2-1/2"
733DLW-30SB	3"
733DLW-40SB	4"

Note: Weld fittings designed for Sched. 40 only  
\*Designed for non-compressible liquids

## 633 FW Adaptor\* (Butt Weld) Schedule 40



Prod. No.	Size
633FW-SS05	3/4" Adaptor x 1/2" BW
633FW-SS07	3/4"
633FW-SS10	1"
633FW-SS12	1-1/4"
633FW-SS15	1-1/2"
633FW-SS20	2"
633FW-SS25	2-1/2"
633FW-SS30	3"
633FW-SS40	4"

Note: Weld fittings designed for Sched. 40 only  
\*Designed for non-compressible liquids

## 733 BLW Coupler\* (Butt Weld) Schedule 40



Prod. No.	Size
733BLW-05SB	3/4" x 1/2" BW
733BLW-07SB	3/4"
733BLW-10SB	1"
733BLW-15SB	1-1/2"
733BLW-20SB	2"
733BLW-30SB	3"
733BLW-40SB	4"

Note: Weld fittings designed for Sched. 40 only  
\*Designed for non-compressible liquids

## 633 LAS Adaptor\* (150 lb. ANSI Flange)



Prod. No.	Size
633LAS-SS05	3/4" Adaptor x 1/2" Flange
633LAS-SS07	3/4"
633LAS-SS10	1"
633LAS-SS12	1-1/4"
633LAS-SS15	1-1/2"
633LAS-SS20	2"
633LAS-SS25	2-1/2"
633LAS-SS30	3"
633LAS-SS40	4"

\*Designed for non-compressible liquids

## 733 LDS Coupler\* (150 lb. ANSI Flange)



Prod. No.	Size
733LDS-05SB	3/4" Coupler x 1/2" Flange
733LDS-07SB	3/4"
733LDS-10SB	1"
733LDS-12SB	1-1/4"
733LDS-15SB	1-1/2"
733LDS-20SB	2"
733LDS-25SB	2-1/2"
733LDS-30SB	3"
733LDS-40SB	4"

\*Designed for non-compressible liquids

## Accessories

Style	Size	Part #
SST Chain with Hooks	12" Long	H31119M
	18" Long	H31120M
Brass Chain with "S" Hooks	6" Long	H06682M
	12" Long	H06683M
Spring Finger Ring	1" - 6"	H20550M

## Twin-Kam™ Kamlok® Cam Arm Kits

with Guaranteed For Life (GFL™) Twin-Kam™ Arms



CAUTION: We do not recommend the use of Twin-Kam™ arms on couplers not manufactured by OPW. Dimensional differences do exist and proper performance cannot be assured.

**Parts Kit includes:**

- 2 Cam Arms
- 2 Pins
- 2 Finger Rings
- Instructions

Kit #	Size
633ARK-SS07*	1/2" & 3/4"
633ARK-SS10	1"
633ARK-SS20	1-1/4" – 2-1/2"
633ARK-SS30	3", 4" & 5"

\*Note: Finger Rings are not included with 1/2" and 3/4" Kit.

## Autolok® Cam Arm Kits



**Kits for Autolok® Couplers and Dust Caps**

**Parts Kit includes:**

- 2 Cam Arms
- 2 Finger Rings
- 2 Pins
- Instructions

Kit #	Size
733ARK-SS07	1/2" & 3/4"
733ARK-SS10	1"
733ARK-SS20	1-1/4" – 2-1/2"
733ARK-SS30	3" & 4"

## Original Locking Design Repair Kits



**Parts Kit includes:**

- 1 Cam Arm
- 1 Finger Ring
- 1 Pin
- Instructions

Kit #	Size
733WARK-SS07	3/4"
733WARK-SS10	1"
733WARK-SS20	1-1/4" – 2-1/2"
733WARK-SS30	3" & 4"

## 634 CLK Cliplok™ Kits Provides locking mechanism for standard units

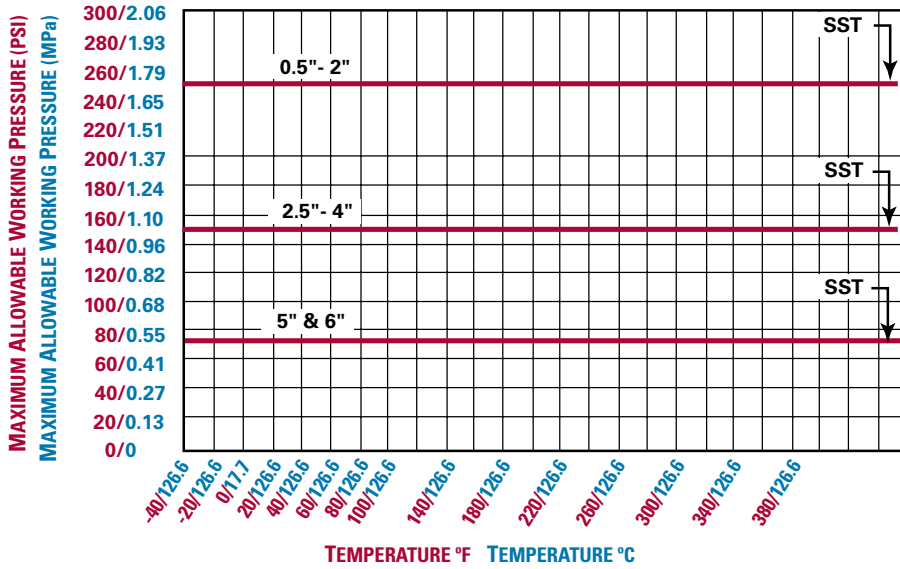


**Kit includes:**

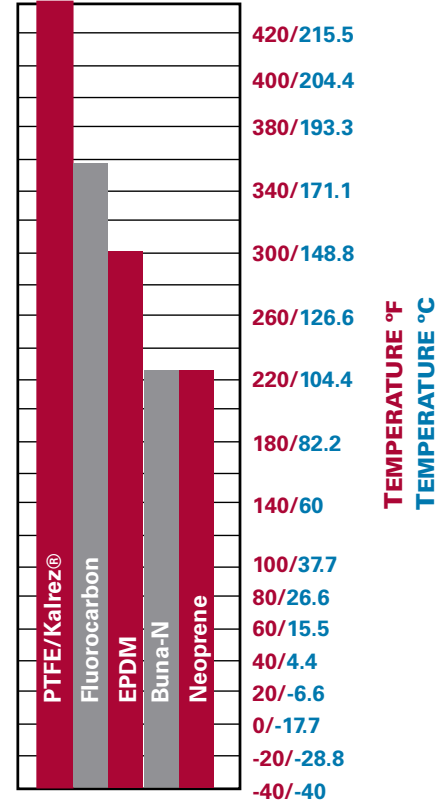
- 1 Cliplok™
- 2 Pins
- 2 Washers
- 3 Wavy Washers
- Instructions

Kit #	Size
634CLK-1020	1-1/4" - 2-1/2"
634CLK-1070	3" & 4"

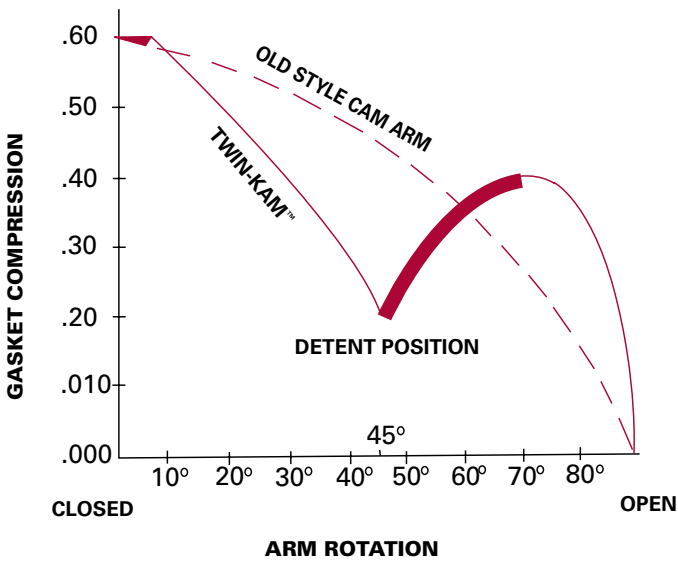
## Pressure/Temperature Characteristics



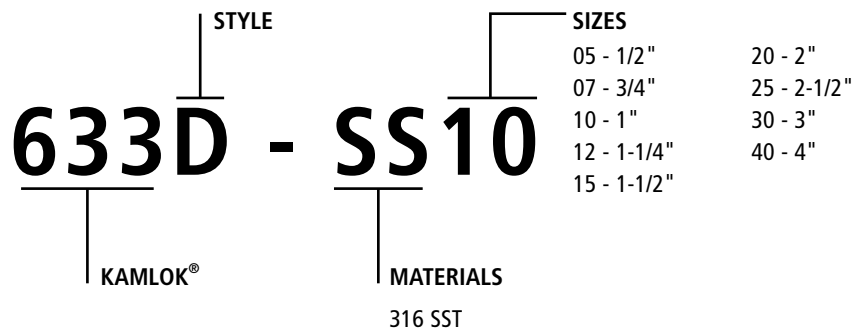
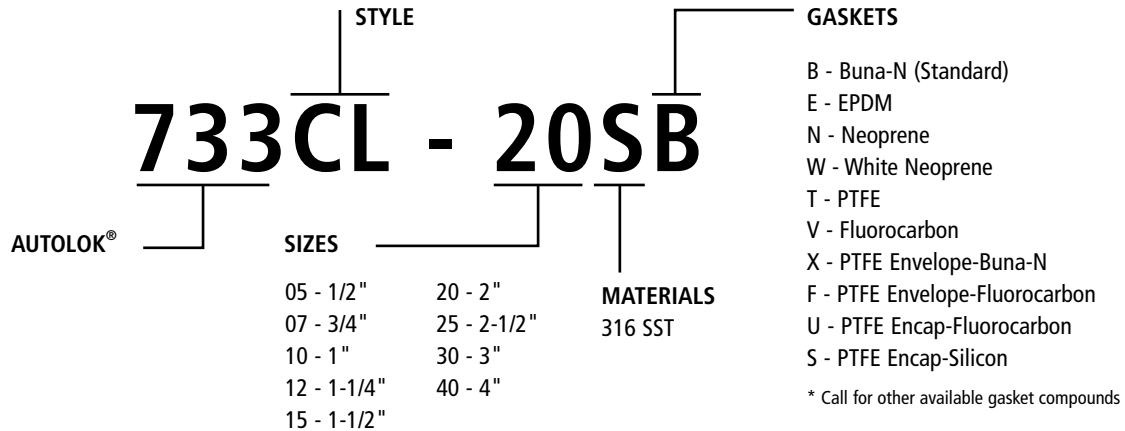
## Temperature Characteristics



## Kamlok® Twin-Kam™ Couplers



## Ordering Specifications



## Gaskets for Autolok®/Kamllok® Couplers

Size (in.)	Buna-N (Standard) Part No.	EPDM Part No.	Neoprene Part No.	White Neoprene Part No.	Fluorocarbon-A Part No.
3/4"	H06595M	H05215M	H01881M	**	H00966M
1"	H06480M	H05216M	H01884M	H04196M	H00967M
1-1/4"	H06477M	H20534M	H01887M	**	H00968M
1-1/2"	H06430M	H20535M	H01890M	H04200M	H00972M
2"	H20544M	H20536M	H01893M	H04201M	H00973M
2-1/2"	H20545M	H20537M	H01896M	H01189M	H00974M
3"	H20546M	H20538M	H01899M	H01190M	H00975M
4"	H20547M	H05225M	H01902M	H04208M	H00976M
Size (in.)	PTFE* Part No.	PTFE Envelope Buna Part No.	PTFE Envelope Fluorocarbon Part No.	PTFE Encapsulated Fluorocarbon Part No.	PTFE Encapsulated Silicone Part No.
3/4"	H01979M	H03304	H03401	H20887M	H20888M
1"	H01980M	H03307	H03402	H20889M	H20890M
1-1/4"	H01981M	H03310	H03405	H20891M	H20892M
1-1/2"	H01982M	H03317	H03407	H20893M	H20894M
2"	H01983M	H03325	H03408	H31116M	H07904M
2-1/2"	H02172M	H03330	H03410	H31118M	H07905M
3"	H02173M	H03333	H03411	H20895M	H20896M
4"	H02174M	H03336	H03412	H20845M	H31562M

\*Solid PTFE gaskets recommended for use with viscous fluids

\*\*Consult Factory